

2 YEARS OF WARRANTY



IE3 ✓

Centrifugal pumps for up stream equipment, spas

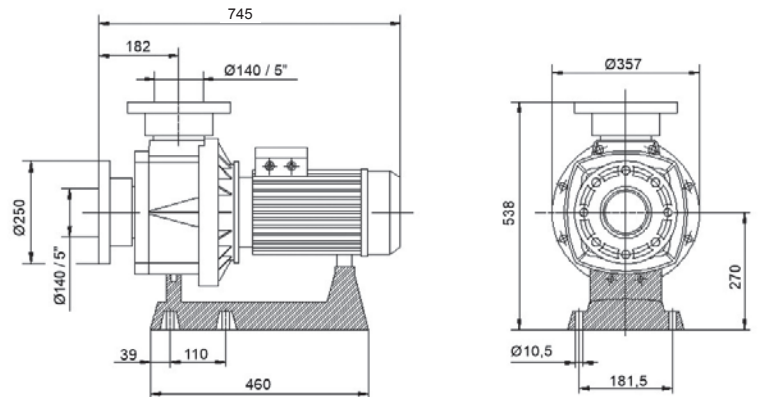
- The three-phase motors are compliant with the IE3 standard
- Hydraulic body, diffuser, **impeller and flange in Noryl** charged with fiber glass, reinforced to reach 3.5 kg/cm² working pressure
- Turbine made of reinforced Noryl
- **This pump is suitable to be used for salt water and sea water**
- Operates at 50 Hz / 2850 rpm, IP55, class F insulation
- Connection: inlet/outlet 140 mm
- Works with PPKT prefilter
- **Usages: up stream equipment, spas**



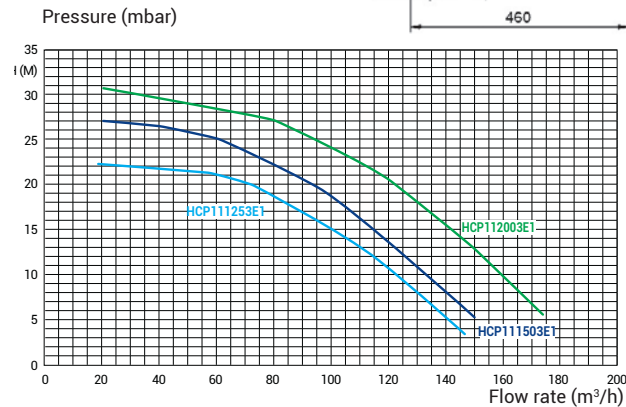
Screws not included

PPKT prefilter
Ref. 201025140103

HCP 1100 SERIES +
Prefilter Pump



➤ HCP1100 Curves



For full information, please refer to our commercial website.

Reference	Type (HP)	Input power P1 (kW)	Flow rate* (m ³ /h)	Inlet / Outlet (mm)	Weight (kg)	Model	Amperage (A)
HCP111003E1	10	8.7	108	140	58	Three-phase motor 400/700V	15.8/9.2
HCP111253E1	12.5	11	114	140	75	Three-phase motor 400/700V	19.2/11.1
HCP111503E1	15	13.1	130	140	78.5	Three-phase motor 400/700V	21.6/12.5
HCP112003E1	20	18.5	169	140	81	Three-phase motor 400/700V	28/16.2
HCP111003E	10	-	108	140	-	Three-phase motor 400/700V	-

*16 column pressure

IE3 ✓

HCP 1100
SERIES

PPKT
PREFILTER

Reference	Capacity (liters)	Flange	Inlet socket	Outlet socket	Weight (kg)	Volume (m ³)
201025140103	25	-	140	-	33.5	0.450